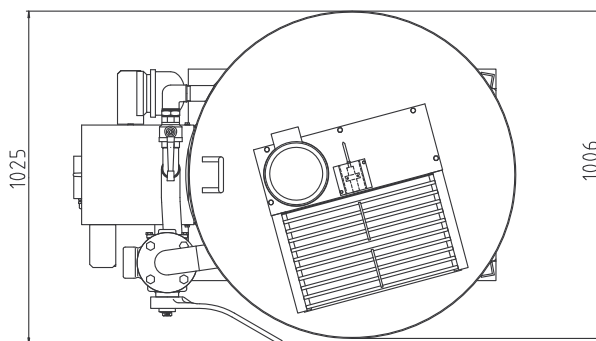
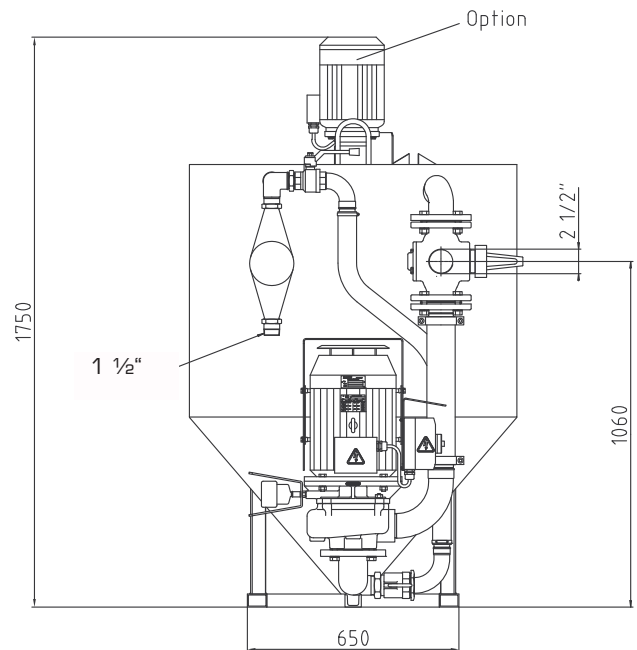
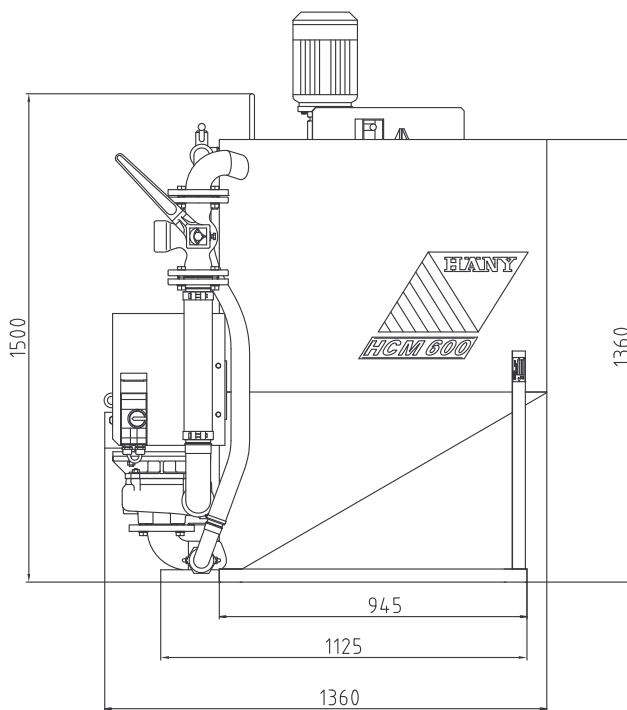


Data sheet

HCM 600

Mixing Pump	TMP	22
Production approx (w/c = 1)	m ³ /h	8
Circulation capacity	l/min	1400
Usable content	l	550
Max. particle size	mm	8
Electric motor	50 Hz kW	9.2
	60 Hz kW	10.5
Water connection	BSP	1 1/2"
Weight	kg	370



Hány AG reserves the right to make improvements and modifications to their equipment without notice.

HIGH-SHEAR MIXER HCM 600

The HCM 600 high-shear colloidal mixer is designed to mix water with cement, ultra-fine cement, bentonite, sand and other additives. The mixer consists of a mixing tank and a high-speed mixing pump. The special mixing effect is achieved by an extremely high turbulence created in the pump casing. This turbulence with its high shear forces separates the cement or bentonite particles which results in a fully hydrated suspension. For the mixing of suspensions with low water/cement ratios or mortar, an additional mixing unit (option) can be installed in the mixing tank to guarantee efficient pre-wetting of the dry admixtures.

A tank of fabricated steel together with a selection of highly wear-resistant materials guarantee for long trouble-free operation of the mixer. The shaft seals of the mixing pump are permanently lubricated by an automatic grease cartridge. The mixer is simple to operate and very easy to clean.

ACCESSORIES:

WATER METER 1½"

for exact water dosing (manual shut-off)

AUTOMATIC WATER METER 1½"

with adjustable counter for exact water dosing

AUXILIARY MIXING UNIT for high-shear mixer HCM 600,
3 kW, 400 V, 50 Hz, (4.8 kW, 460 V, 60 Hz)

GROUTING SYSTEMS

HÄNY

